

**Art. A931B+D331A**

**Miscelatore termostatico doccia incasso 3/4"**

- 1 uscita da 1/2"
- maniglie
- solo per montaggio orizzontale
- ingressi da 3/4"

**Parte esterna**

**Finiture:**

- Cromo** 27 02 A931B
- Matt Gun Metal PVD** 27 P5 A931B
- Matt British Gold PVD** 27 P6 A931B
- Matt Copper PVD** 27 P9 A931B

**Parte da incasso**

**Finiture:**

- 19 00 D331A

**Progetto:**

---



---

**Stanza:**

---



---

**Data:**

---



---

**Commento:**

---



---



---



---



---



---



---



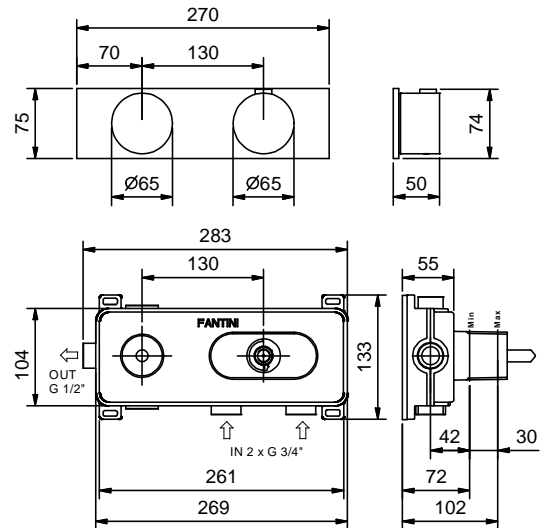
---



---



---



**Certificazioni:**